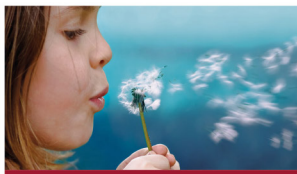


3D PDF DATASHEET



eCATALOGsolutions



BIM catalogs.net



PARTsolutions



Create Your Individual 3D PDF Datasheet



Learn How to Create Your Mechanical Product Catalog



Learn How to Create Your BIM Product Catalog



Reduce Your Costs in Engineering and Purchasing



IKO

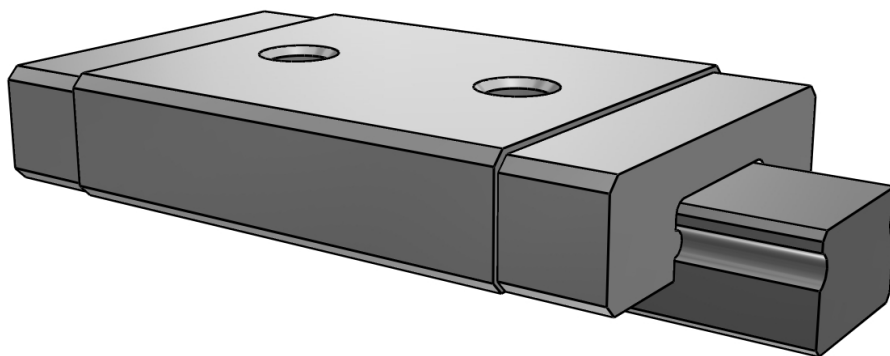
日本トムソン株式会社

LWLF4120(8.45,0,0)NI

LWLF4

3D View

To activate the interactive 3D view, you must trust this document (see hint on the top) in Adobe Acrobat and click on the question mark.



Zoom

Moves you toward or away from objects in the scene when you drag vertically. You can also zoom with the hand tool by holding down Shift as you drag.

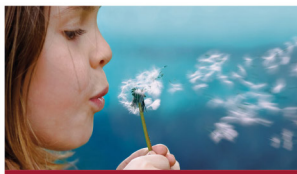
Pan

Moves the model vertically and horizontally only. You can also pan with the hand tool: Ctrl-drag.

Rotate

Turns 3D objects around relative to the screen. How the objects move depends on the starting view, where you start dragging and the direction in which you drag.

3D PDF DATASHEET



 eCATALOG solutions




 BIM catalogs.net



 PART solutions



Create Your Individual 3D PDF Datasheet 

Learn How to Create Your Mechanical Product Catalog 

Learn How to Create Your BIM Product Catalog 

Reduce Your Costs in Engineering and Purchasing 

IKO

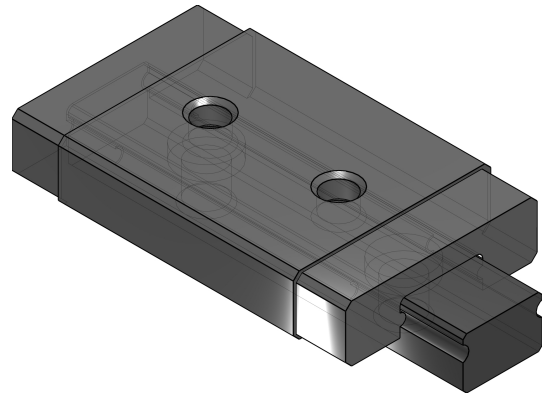
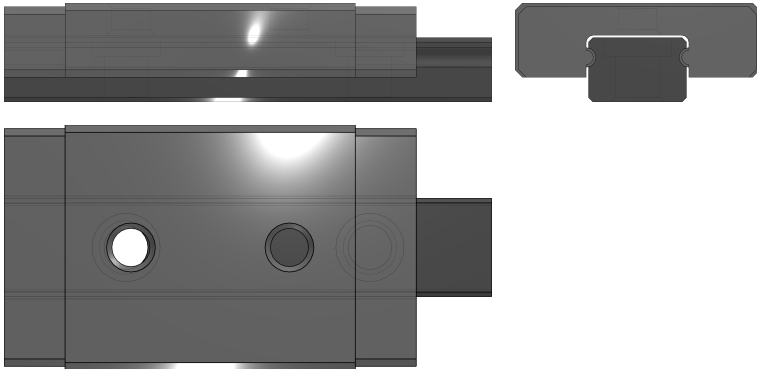
日本トムソン株式会社

LWLF4120(8.45,0,0)NI

LWLF4

2D derivation

ISO View



3D PDF DATASHEET



 eCATALOG solutions




 BIM catalogs.net




 PART solutions



Create Your Individual 3D PDF Datasheet 

Learn How to Create Your Mechanical Product Catalog 

Learn How to Create Your BIM Product Catalog 

Reduce Your Costs in Engineering and Purchasing 

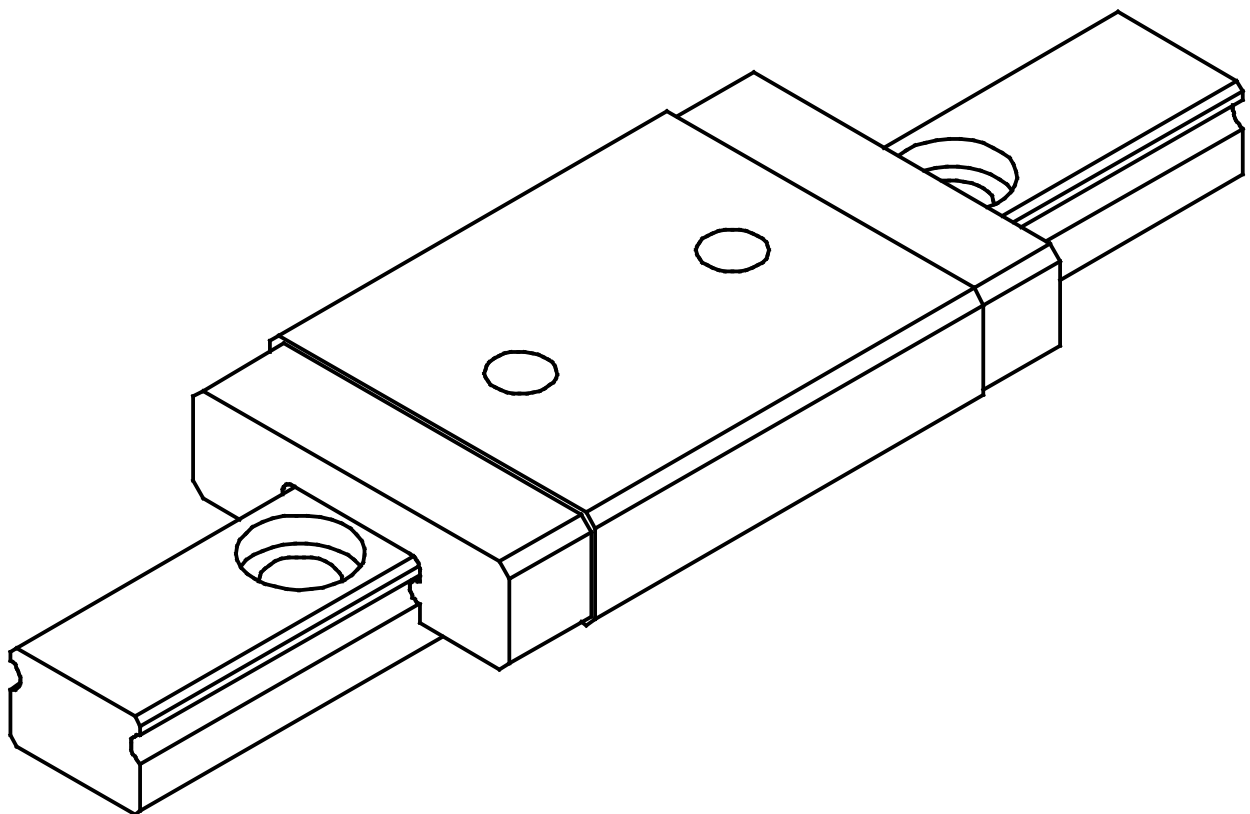
IKO

日本トムソン株式会社

LWLF4120(8.45,0,0)NI

LWLF4

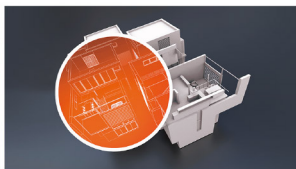
Technical drawings



3D PDF DATASHEET



 eCATALOG solutions




 BIM catalogs.net



 PART solutions



Create Your Individual 3D PDF Datasheet 

Learn How to Create Your Mechanical Product Catalog 

Learn How to Create Your BIM Product Catalog 

Reduce Your Costs in Engineering and Purchasing 

IKO

日本トムソン株式会社

LWLF4120(8.45,0,0)NI

LWLF4

Technical Data

NS (Number of Slide Unit)	1
REF (Opposite reference surfaces arrangement)	No
L (Track Rail length / mm)	20
P1 (Position of Slide Unit at Center / mm)	8,45
P2 (Position of 2nd Slide Unit at Center / mm)	0
P3 (Position of 3rd Slide Unit at Center / mm)	0

3D PDF DATASHEET



 eCATALOG solutions




 BIM catalogs.net



 PART solutions



Create Your Individual 3D PDF Datasheet 

Learn How to Create Your Mechanical Product Catalog 

Learn How to Create Your BIM Product Catalog 

Reduce Your Costs in Engineering and Purchasing 

IKO

日本トムソン株式会社

LWLF4120(8.45,0,0)NI

LWLF4

Bill of Materials

N°	Description	Amount
1	LWLF4C1R20	1
1.1	LWLF4R20Track Rail	1
1.2	LWLF4R Slide Unit	1