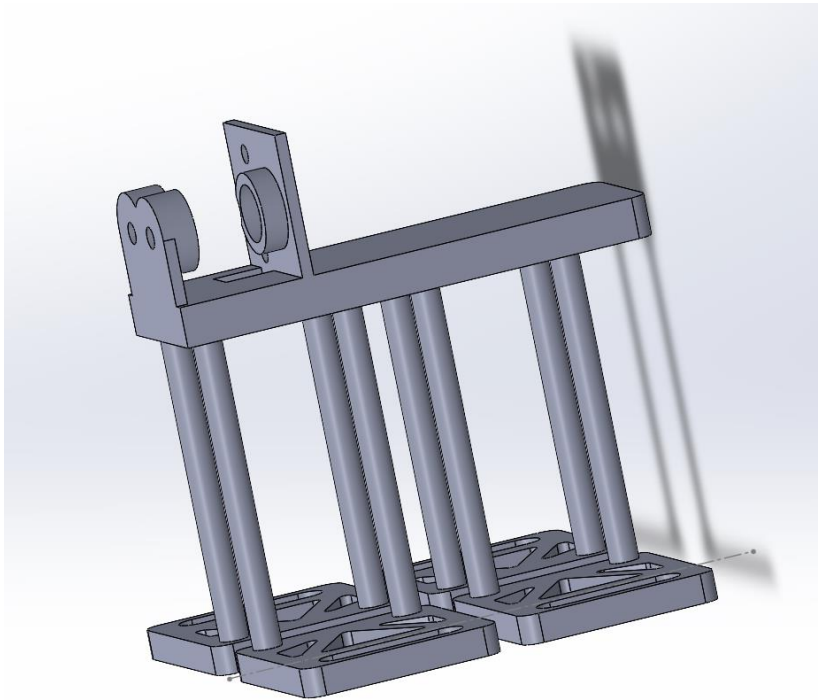
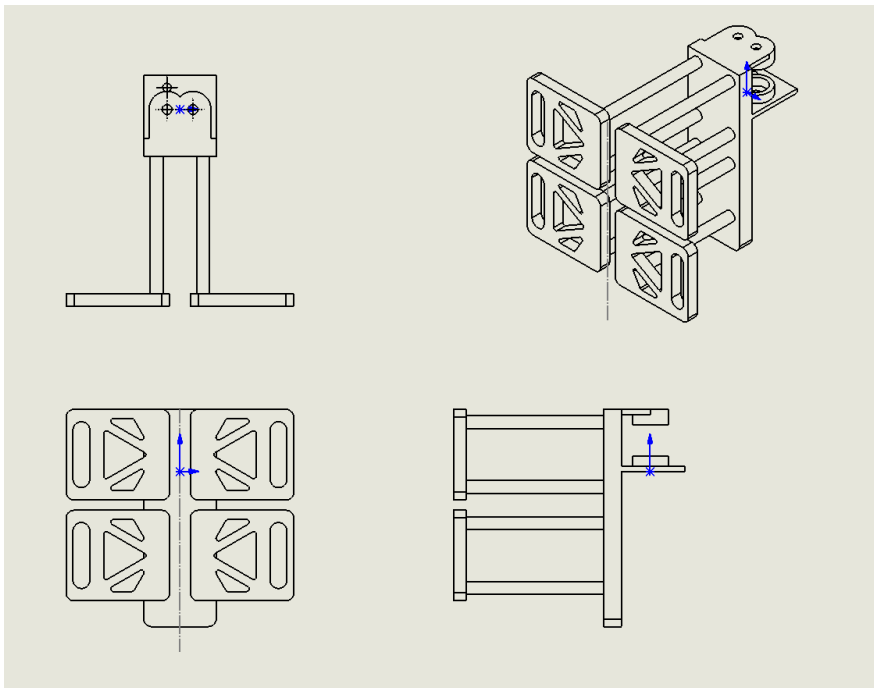


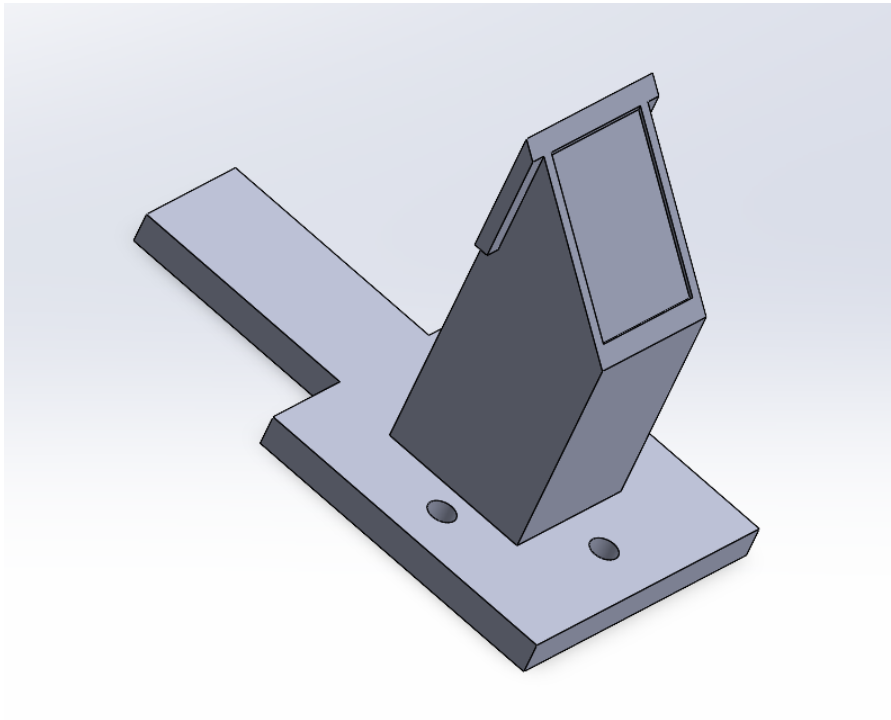
Basic housing for motor:



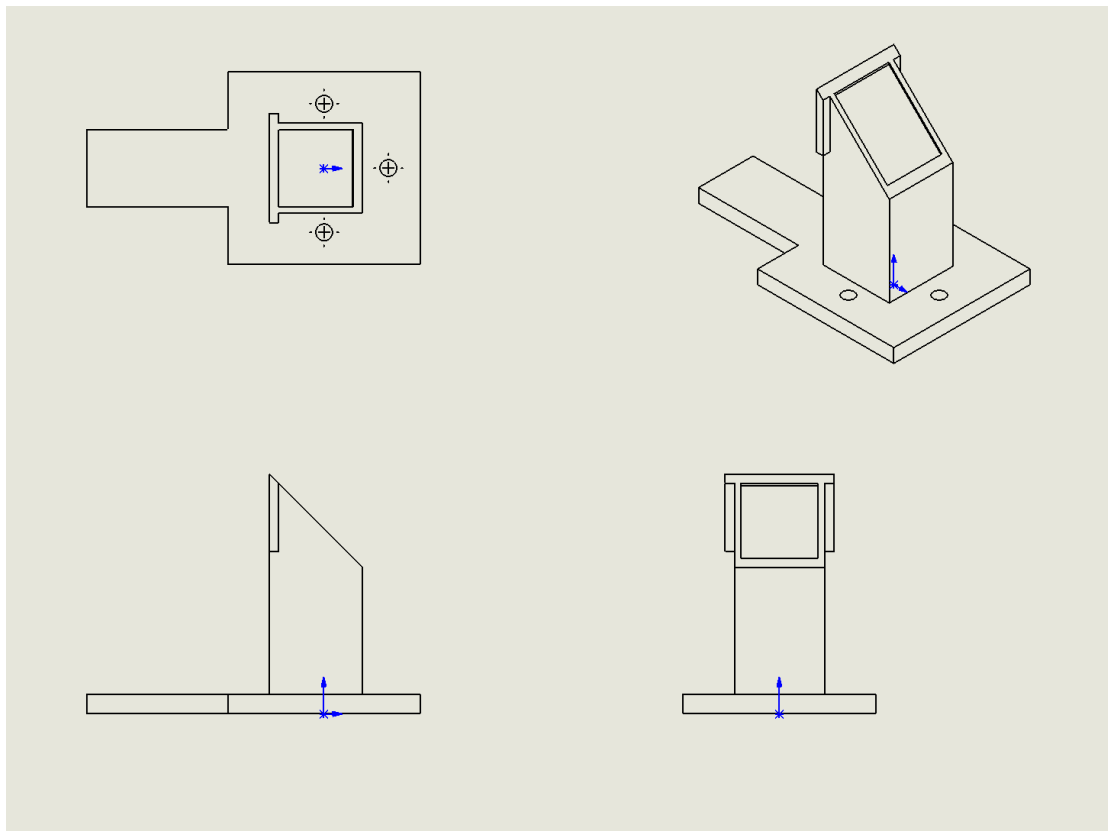
Engineering drawings



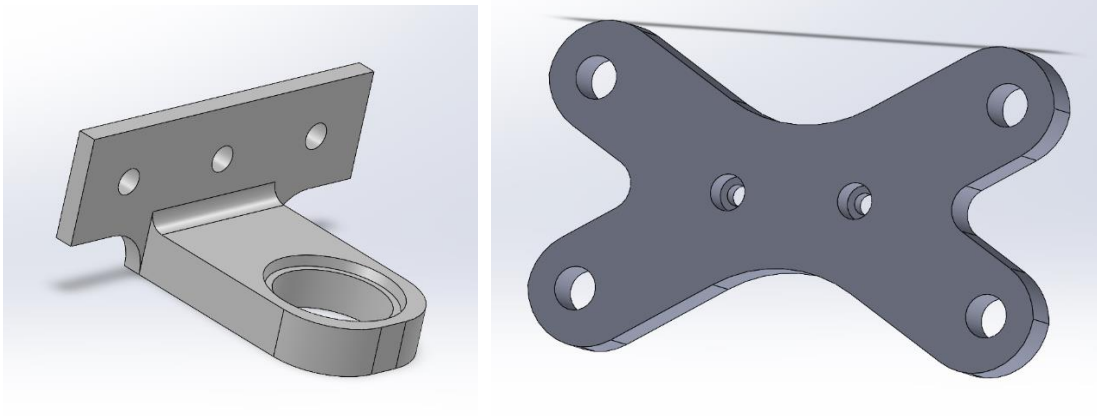
Chess board:



Engineering drawings



Top Camera Mount with two parts



Engineering drawings

